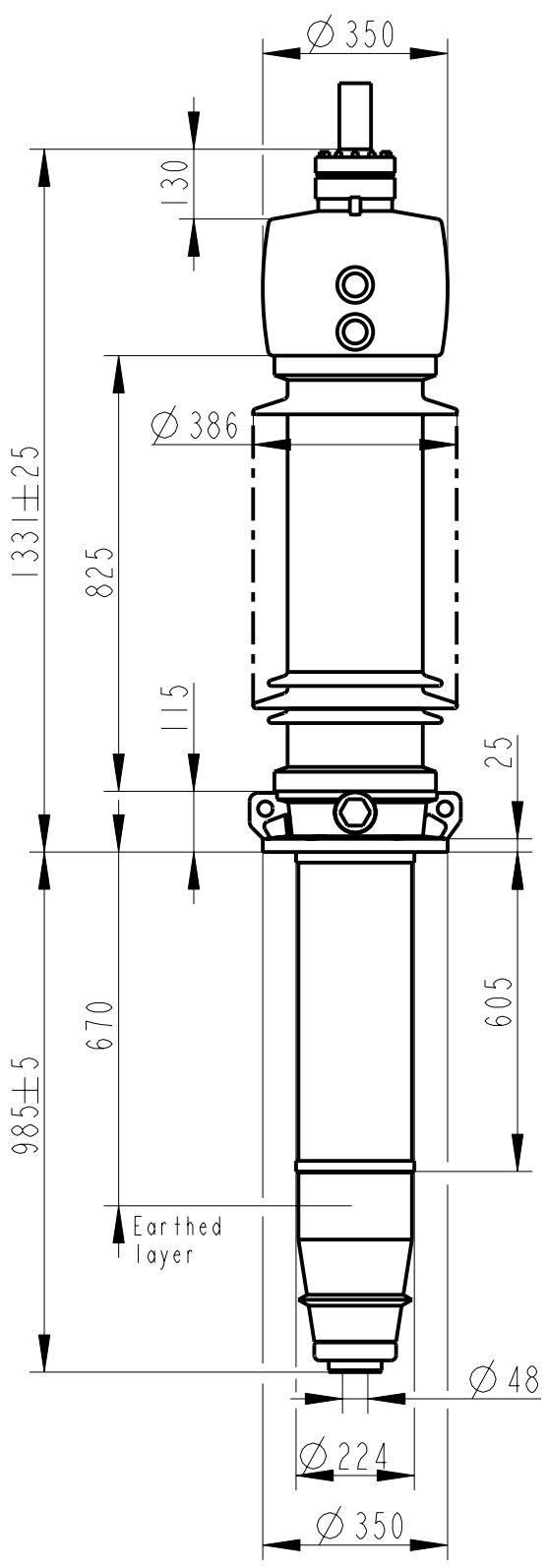


| | | | | |
|-----|-----|----------|------|------|
| Rev | Ind | Revision | Appd | Date |
| | | | | |



Bushing Data:

| | | |
|--------------------------------|------|----|
| Rated Voltage | 123 | kV |
| Phase to-earth Voltage | 84 | kV |
| Dry Lightning Impulse 1,2/50µs | 450 | kV |
| Wet Switching Impulse | 300 | kV |
| Wet Power frequency AC | 170 | kV |
| Routine test Imin dry 50Hz | 185 | kV |
| Rated Current | 3150 | A |
| Creepage Distance | 2380 | mm |
| Mass | 240 | kg |

Ordering Data:

BUSHING COLOUR AIR INSULATOR
 LF121052 -A / -AA BROWN / LIGHT GREY

OUTER TERMINAL

| | | |
|-------------------|------|------|
| | H2 | D2 |
| | (mm) | (mm) |
| LF170 073-A Al | 125 | 60 |
| LF170 073-B Cu | 125 | 60 |
| LF170 073-G Cu/Ag | 125 | 60 |

OTHER TYPES ON REQUEST

END-SHIELD
 LF170 046-U EPOXY INSULATED
 LF170 046-UP INSULATED WITH 3 mm PRESSBOARD

DRAW ROD SYSTEM
 LF170 059 LOWER DRAW ROD WITH NI=4 OR NI=6
 LF170 057 UPPER DRAW ROD

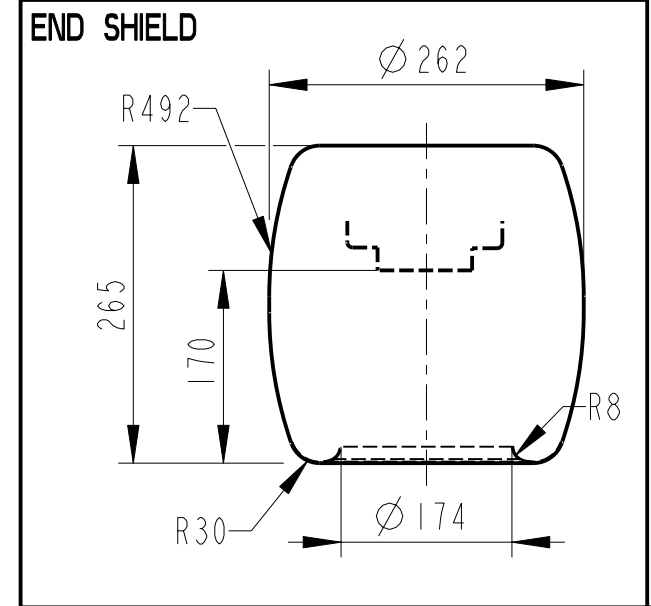
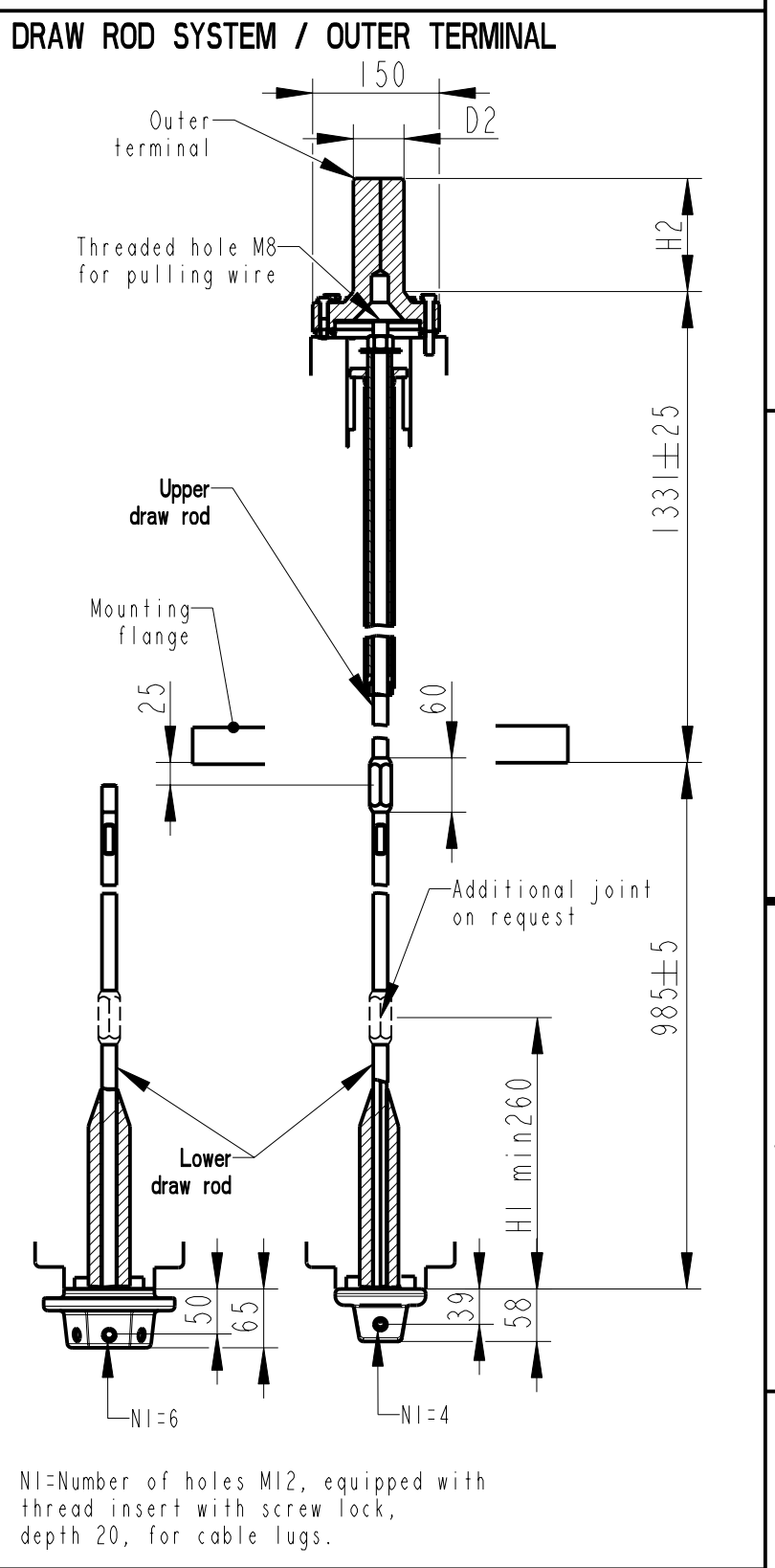
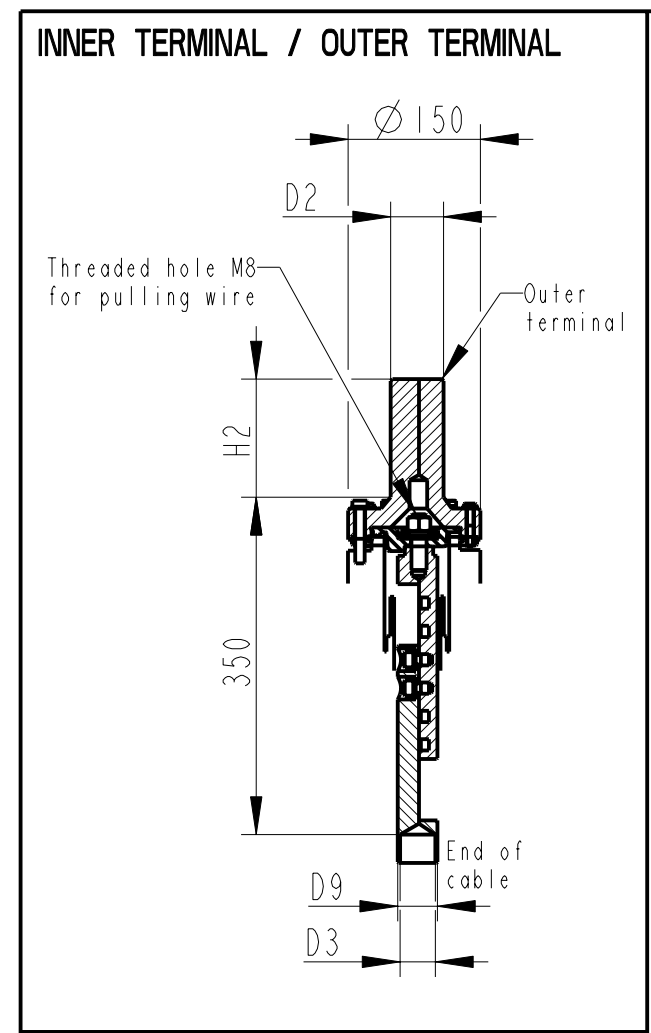
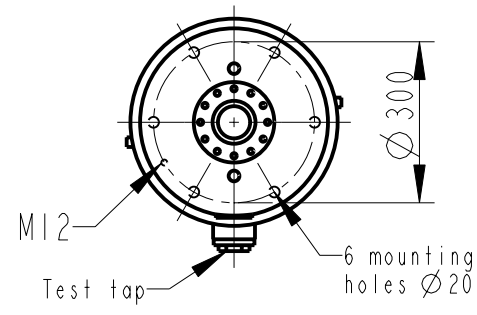
INNER TERMINAL

| | | | | | |
|------------------|------|------|--------------------|-------------|------|
| | D3 | D9 | Cond.area | Current (A) | |
| | (mm) | (mm) | (mm ²) | IEC | IEEE |
| LF170 056-E O *) | 45 | - | - | - | - |
| LF170 056-D | 40 | 45 | 600 | 1600 | 1360 |

*) WITH PILOT HOLE D=5

ABB Components Luleå, Sweden

| | | | | | |
|----------------|----------------|----------------|----------------|---|----------|
| U ₁ | U ₂ | N ₁ | N ₂ | A | 50-60 Hz |
| U | U | U | U | U | U |
| M | kg | L | mm | D | |
| C1 | pF | Tanδ | | | |
| C2 | pF | Tanδ | | | |



| | | | |
|-------------------------------------|---------------------------------------|----------------------|----------------|
| Based on | Reg. No. | Title | |
| Prepared Lövnord | Responsible department COM/BK 0022 | GOE-380-300-3150-0.6 | |
| Approved Johansson | Take over department | | Language 82 |
| Design engineering review Gutman | Database | | Page 1(1) |
| ABB Components | | Document No. | 2751369-6 |

We reserve all rights in this document and in the information contained therein. Reproduction, use or disclosure to third parties without express authority is strictly forbidden. ©ABB